

MCJT Multiple position $\phi 12\sim\phi 100$

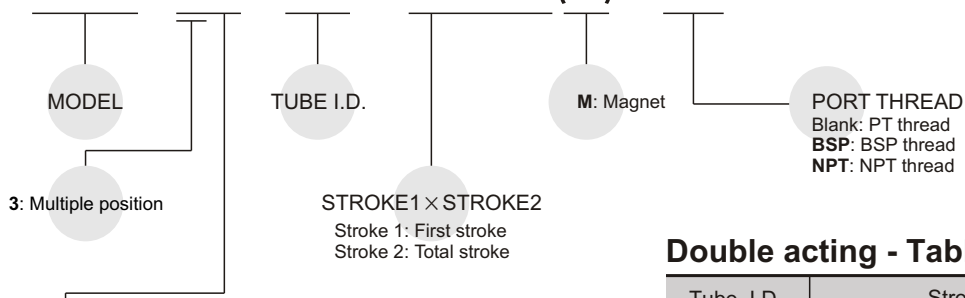
COMPACT CYLINDERS



Model		MCJT									
Acting type		Double acting / Single acting						Double acting			
Tube I.D. (mm)		12	16	20	25	32	40	50	63	80	100
Port size Rc(PT)		M5 \times 0.8			PT 1/8		PT 1/4		PT 3/8		
Medium		Air									
Operating pressure kgf/cm ²	Double acting	0.5~9.9		0.3~9.9		0.2~9.9					
	Single acting	2.0~9.9		1.5~9.9		1.0~9.9		—			
Proof pressure		15 kgf/cm ²									
Ambient temperature		-5~+60°C (No freezing)									
Sensor switch		RCB, RCE, RCE1									

Order example:

MCJT - 32 - 40 - 10 \times 25(M) - BSP



STYLE:

Code	Symbol	Description
3 1		Double acting / Male thread
3 2		Double acting / Female thread
3 5		Single acting / Normally returned male thread
3 6		Single acting / Normally returned female thread

Double acting - Table for standard stroke

Tube I.D.	Stroke (mm)	Max. stroke
$\phi 12, \phi 16$	5, 10, 15, 20, 25, 30	300
$\phi 20, 25, 32$ $\phi 40, 50, 63$	5, 10, 15, 20, 25, 30, 35, 40, 45, 50	300
$\phi 80\sim 100$	5, 10, 15, 20, 25, 30, 35, 40, 45, 50	125

- Stroke out of specification is also available.
- Please consult us if stroke out of specification.

Single acting - Table for standard stroke

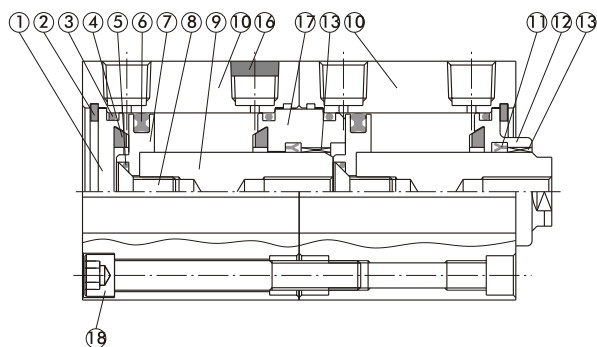
Tube I.D.	Stroke (mm)
$\phi 12, 16, 20, 25, 32, 40$	5, 10
$\phi 50$	10, 20

MCJT Multiple position Inside structure & Parts list

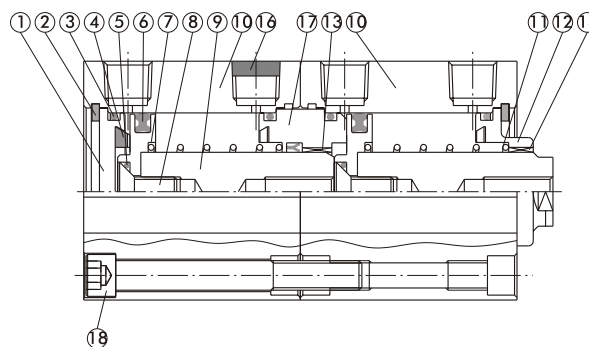
COMPACT CYLINDERS



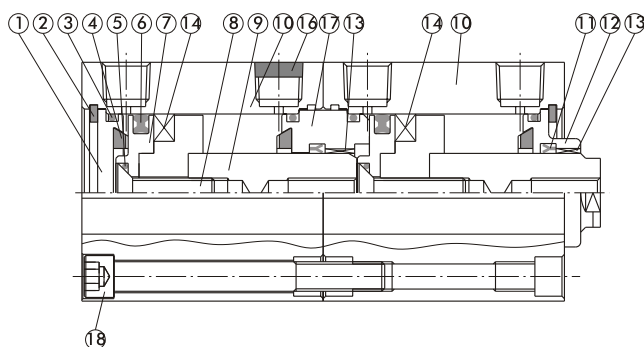
Double acting



Single acting normally returned



Double acting (with magnet)



Seal kit

Acting type	Rod packing		Piston packing		Cover ring	Piston gasket
	Double action normally extended	Normally returned	Double action	Single action	Double action single action	Double action single action
Qty.	2	1	2	2	4	2
12	KSYR-6	KSYR-6	OPA-12	OPA-12	S-12	d4 × w1
16	KSYR-8	KSYR-8	OPA-16	OPA-16	S-14	d4 × w1
20	KSYR-10	KSYR-10	OPA-20	OPA-20	S-18	d6 × w1
25	KSYR-12	KSYR-12	OPA-25	OPA-25	S-22	d8 × w1
32	KSYR-16	KSYR-16	OPA-32	OPA-32	d28 × w2	S-9
40	KSYR-16	KSYR-16	OPA-40	OPA-40	S-36	S-9
50	KSYR-20	KSYR-20	OPA-50	OPA-50	AS-31	S-16
63	KSYR-20	—	OPA-63	—	AS-36	S-16
80	ORA-25	—	OPA-80	—	AS-41	d20 × w1
100	SDR-30	—	OPA-100	—	S-95	S-26

Material

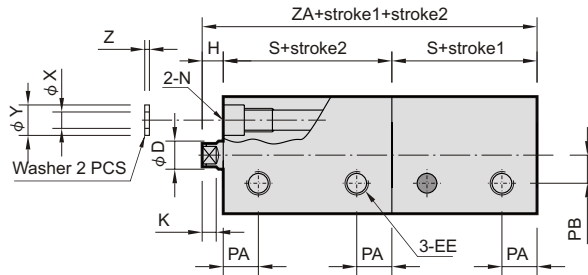
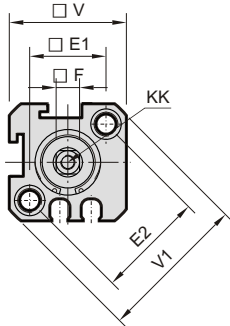
No.	Part name	Tube I.D.								
		12	16	20	25	32	40	50	63	80
1	Head cover	Aluminum alloy								
2	Snap ring	Spring steel								
3	Cover ring	NBR								
4	Cushion packing	—	NBR							
5	Piston gasket	NBR								
6	Piston packing	NBR								
7	Piston	Aluminum alloy								
8	Screw	SCM								
9	Piston rod	SUS			Carbon steel					
10	Body	Aluminum alloy								
11	Rod packing	NBR								
12	Rod cover	Aluminum alloy								
13	Bush	—	Teflon							
14	Magnet	Plastic								
15	Spring	SWP						—		
16	Silencer	Brass						—		
17	Center cover	Aluminum alloy								
18	Screw	SCM								

MCJT Multiple position Double action / Female thread $\phi 12\sim\phi 100$

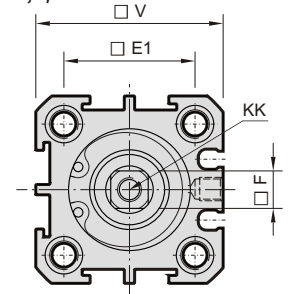
COMPACT CYLINDERS



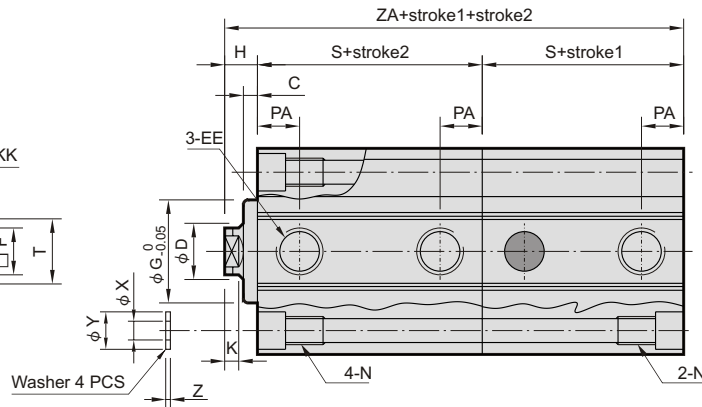
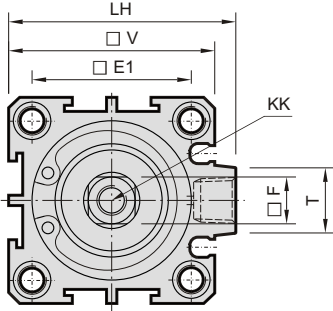
$\phi 12, \phi 16$



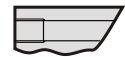
$\phi 20, \phi 25$



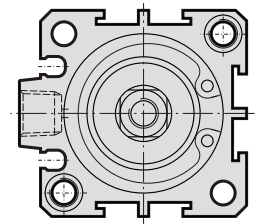
$\phi 32\sim\phi 100$



$\phi 12\sim\phi 100$ Long stroke
(Without counter bore)



※ with magnet type: the stroke length must be over 100mm.



※ Stroke1: First stroke Stroke2: Total stroke

Code Tube I.D.	C	D	E1	E2	EE	F	G	H	K	KK	LH	N	PA	PB
12	-	6	16.3	23	M5×0.8	5	-	4.5	3	M3×0.5×7depth	-	6.5×4.5depth, 4.3, M5×0.8×6depth	7.5	5.5
16	-	8	19.8	28	M5×0.8	6	-	4.5	3	M4×0.7×7depth	-	6.5×4.5depth, 4.3, M5×0.8×6depth	8	6.5
20	1.5	10	24	-	M5×0.8	8	13	5.5	3	M5×0.8×10depth	-	6.5×4.5depth, 4.3, M5×0.8×7.5depth	7.5	-
25	2	12	28	-	M5×0.8	10	17	6	3	M6×1×10depth	-	8×6depth, 5.1, M6×1×9.5depth	8	-
32	3.3	16	34	-	PT 1/8(※1)	14	22	7	3	M8×1.25×12depth	48.5	8×6depth, 5.1, M6×1×8depth	9	-
40	3.3	16	40	-	PT 1/8(※1)	14	28	7	3	M8×1.25×12depth	56.5	9.5×8depth, 6.9, M8×1.25×10depth	10	-
50	4	20	48	-	PT 1/4(※2)	17	38	9	3	M10×1.5×15depth	70	11×8.5depth, 6.9, M8×1.25×10depth	10.5	-
63	4	20	60	-	PT 1/4(※2)	17	40	9	3	M10×1.5×15depth	83	11×8.5depth, 6.9, M8×1.25×10depth	11	-
80	5	25	74	-	PT 3/8(※3)	22	45	11	4	M14×2×20depth	102	14×10.5depth, 10.5, M12×1.75×12depth	13	-
100	3	30	90	-	PT 3/8(※3)	27	45	9	4	M18×2.5×20depth	122	18.5×13depth, 12.3, M14×2×15depth	15	-

※1: without magnet with stroke=5mm, EE=M5×0.8

※3: without magnet with stroke=5mm, EE=PT1/4

※2: without magnet with stroke=5mm, EE=PT1/8

Code Tube I.D.	T	V	V1	X	Y	Z	without magnet		magnet	
							S	ZA	S	ZA
12	-	25	32	3.2	6.3	1	20.5	45.5	25.5	55.5
16	-	29	38	3.2	6.3	1	20.5	45.5	30.5	65.5
20	-	34	-	3.2	6.3	1	19.5	44.5	29.5	64.5
25	-	40	-	4.2	7.8	1	21	48	31	68
32	14	44	-	4.2	7.8	1	24	55	34	75
40	14	52	-	6.2	9.3	1.6	26.5	60	36.5	80
50	19	62	-	6.2	10.8	1.6	28.6	66.2	38.6	86.2
63	20	75	-	6.2	10.8	1.6	32.5	74	42.5	94
80	27	94	-	8.2	13.8	1.6	41	93	51	113
100	26	114	-	10.2	17.3	2	45	99	55	119