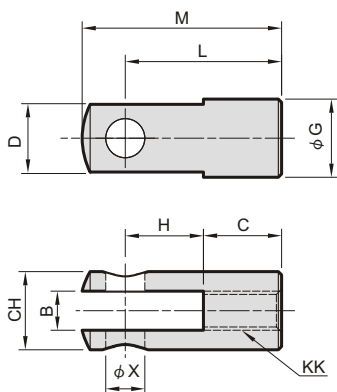
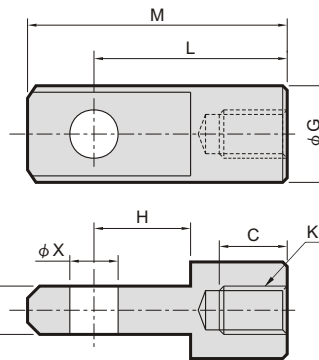
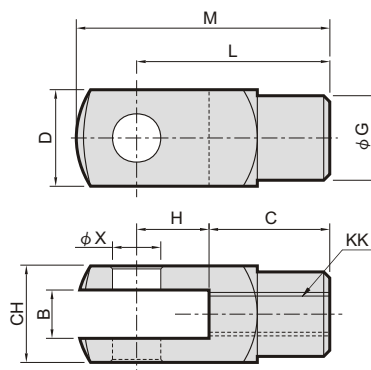


### Y connector

$\phi 8 \sim \phi 16$



$\phi 20 \sim \phi 40$

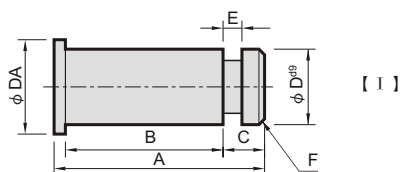


Code Tube I.D.	B		C		CH		D		G		H		KK		L		M		X <sup>H9</sup>
	Y	I	Y	I	Y	I	Y	I	Y	I	Y	I	Y	I	Y	I	Y	I	
8,10	4 <sup>+0.4</sup> <sub>+0.1</sub>		8		8		8				8		M4×0.7		16		20.75		4 <sup>+0.03</sup> <sub>+0</sub>
12,16	6 <sup>+0.4</sup> <sub>+0.1</sub>	6 <sup>-0.2</sup> <sub>-0.3</sub>	12	8	12				12	12	12	10	M6×1		24	21	31	28	6 <sup>+0.03</sup> <sub>+0</sub>
20	8 <sup>+0.5</sup> <sub>+0.15</sub>	8 <sup>-0.1</sup> <sub>-0.2</sub>	16	14	16			16		14	16	12	M8×1.25		32	32	42	42	8 <sup>+0.036</sup> <sub>+0</sub>
25,32	10 <sup>+0.5</sup> <sub>+0.15</sub>	10 <sup>-0.1</sup> <sub>-0.2</sub>	20	17	19			19		18	20	15	M10×1.25		40	40	52	52	10 <sup>+0.036</sup> <sub>+0</sub>
40	12 <sup>+0.5</sup> <sub>+0.15</sub>	12 <sup>-0.1</sup> <sub>-0.2</sub>	24	21	24			22		20	24	18	M12×1.25		48	48	62	62	12 <sup>+0.043</sup> <sub>+0</sub>

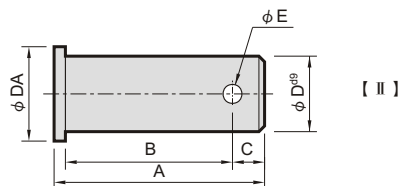
### Pin

for Y & I connector

$\phi 8 \sim \phi 16$



$\phi 20 \sim \phi 40$

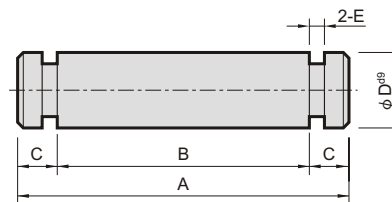


for Y & I connector

Code Tube I.D.	A	B	C	D <sup>#9</sup>	DA	E	Split pin
8,10	12	8.5	2	4 <sup>-0.03</sup> <sub>-0.06</sub>	8	0.7	E3
12,16	18.5	15	2	6 <sup>-0.03</sup> <sub>-0.06</sub>	10	0.7	E4
20	24.5	20.5	2.5	8 <sup>-0.04</sup> <sub>-0.08</sub>	12	$\phi 2.5$	2.5×16L
25,32	30	25	3.5	10 <sup>-0.04</sup> <sub>-0.08</sub>	14	$\phi 3.2$	3.2×20L
40	37	30	5	12 <sup>-0.05</sup> <sub>-0.09</sub>	16	$\phi 3.2$	3.2×20L

### Pin

for SDB



for SDB

Code Tube I.D.	A	B	C	D <sup>#9</sup>	E	Split pin
8,10	18	14	2	4 <sup>-0.03</sup> <sub>-0.06</sub>	0.7	E3.2
12	23.5	19.5	2	6 <sup>-0.03</sup> <sub>-0.06</sub>	0.7	E5
16	21	17	2	6 <sup>-0.03</sup> <sub>-0.06</sub>	0.7	E5
20	30	25	2.5	8 <sup>-0.04</sup> <sub>-0.08</sub>	0.9	E7
25,32	33	27	3	10 <sup>-0.04</sup> <sub>-0.08</sub>	0.9	E9
40	37	31	3	12 <sup>-0.05</sup> <sub>-0.09</sub>	0.9	E9