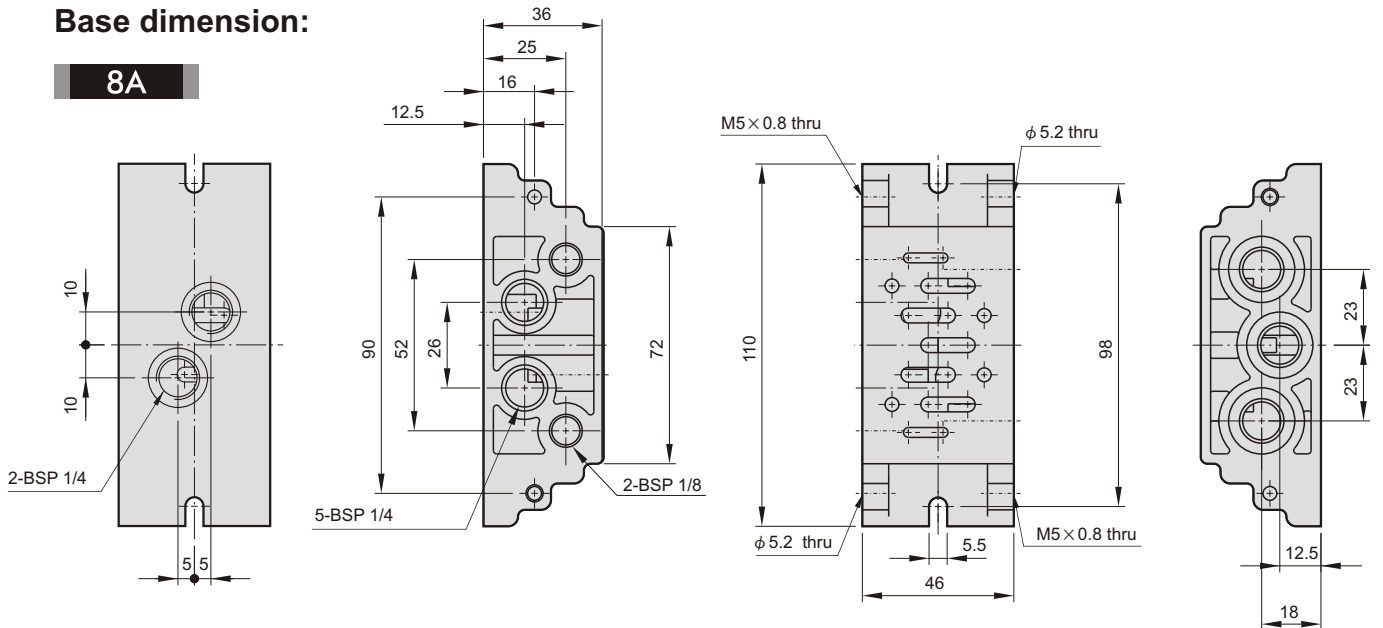


Base dimension:

8A



Order example:

MVSI - 1 - B - 8A

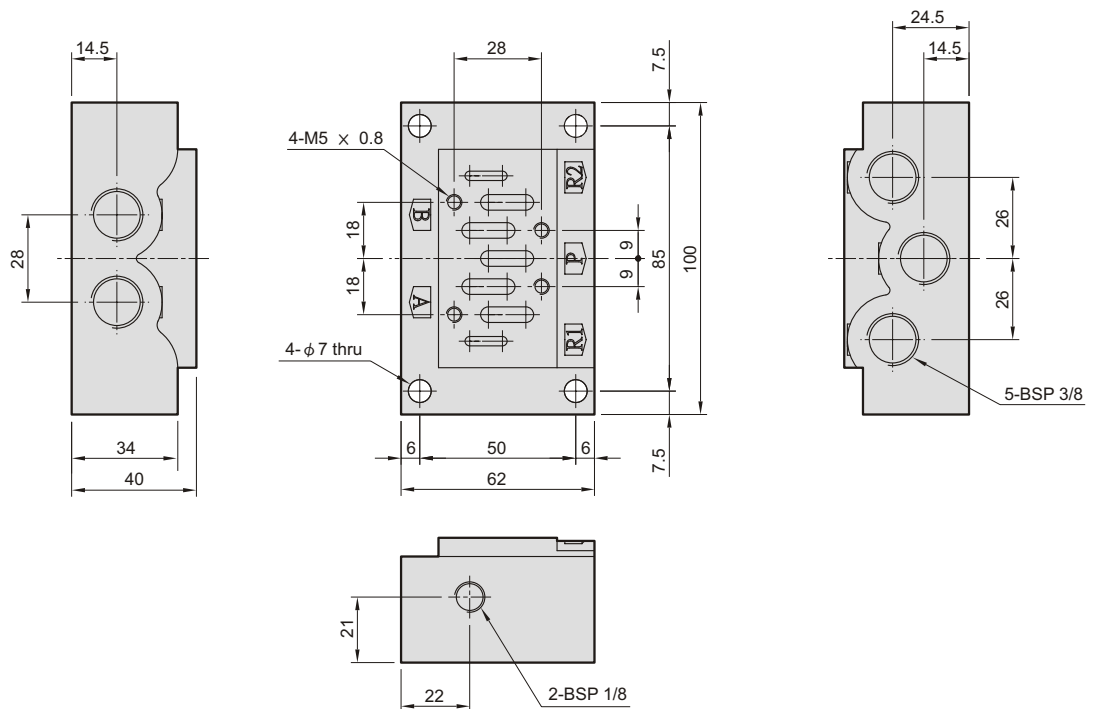
MODEL

BASE

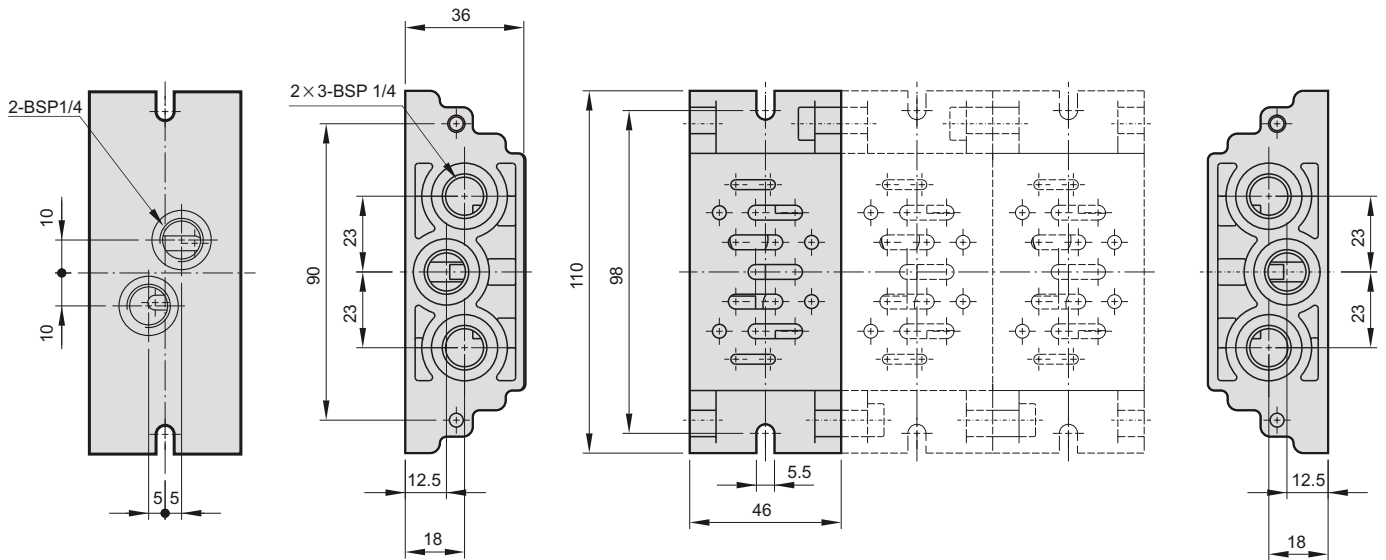
BORE SIZE

8A : BSP 1/4
10A : BSP 3/8

10A



Manifold of solenoid valve:



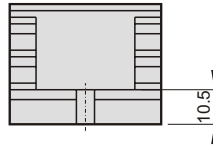
Order example:

MVSI - 1 - M2

MODEL

MANIFOLD

NO. OF STATIONS
1, 2, 3

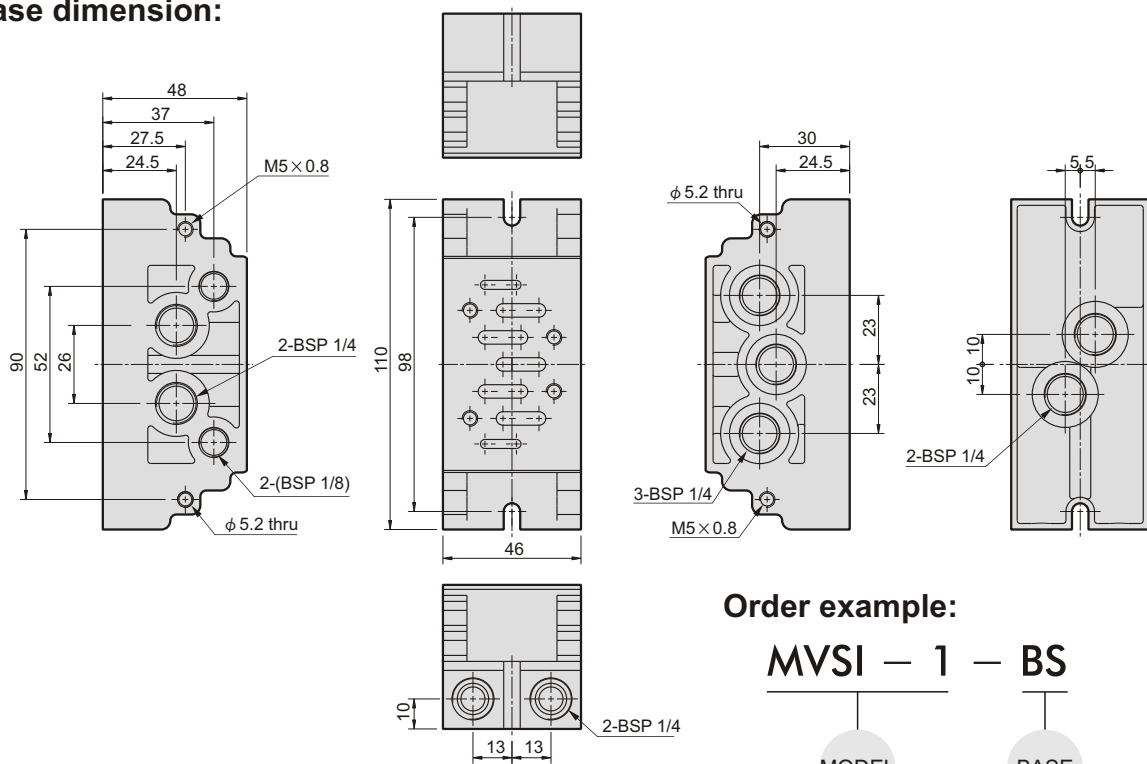


MVSI Base & Manifold (side ported type)

ISO-1 SOLENOID VALVE



Base dimension:



Manifold of solenoid valve:

